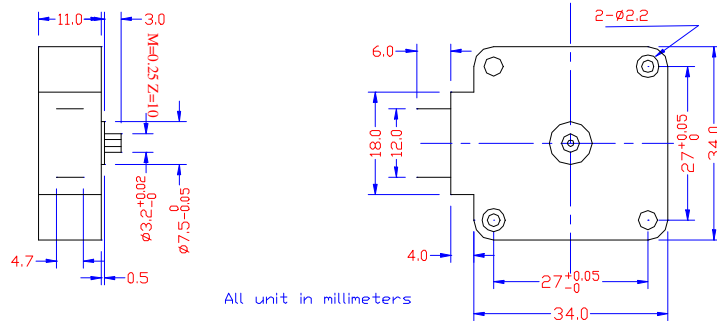




HennkWell Ind. Co., Ltd.

Model KT201 AC 12 Poles Synchronous Timer Motor

Outline Dimensions :



Features :

- 1、 The synchronous operation can accommodate a wide variation of voltage and current.
- 2、 The sintered bronze bearing, with excellent lubrication oil, provides a smooth and durable operation.
- 3、 The precise construction and compact body minimize operation trouble.
- 4、 Low vibration & noise : Operation consists of very little vibration and is virtually quiet.
- 5、 Easy to install : Any installation positions or angles are allowed.

Applications :

- ☉ Refrigerator Defroster
- ☉ Hour Meter
- ☉ Counter Timer
- ☉ Electric Timer

The Specifications :

- Rated Voltage : AC 110V/120V ; 220V/240V
- Rated Current : 15 mA
- Output Power : 1.5 W
- Pole Numbers : 12 P
- Output Speed : 500 rpm@50 Hz/600 rpm@60 Hz
- Operating Torque : 3 gf.cm
- Direction of Turn : CW / CCW
- Operating Voltage Range : 85% ~ 115% on rated voltage
- Ambient Temperature : -10°C to 60°C
- Relative Temperature Range : 45% ~ 85%
- Temperature Rise : 45°C
- Insulation Resistance : 100 MΩ or more
- Insulation Voltage : 1500 VAC at one second
- Operating Noise : Less than 32 dB